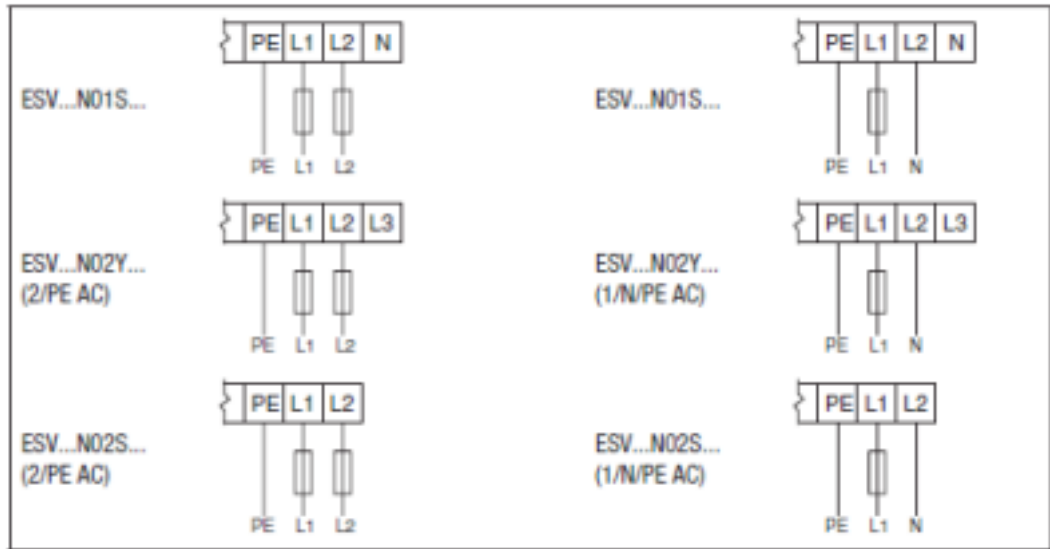


Document  
start-up Ventec

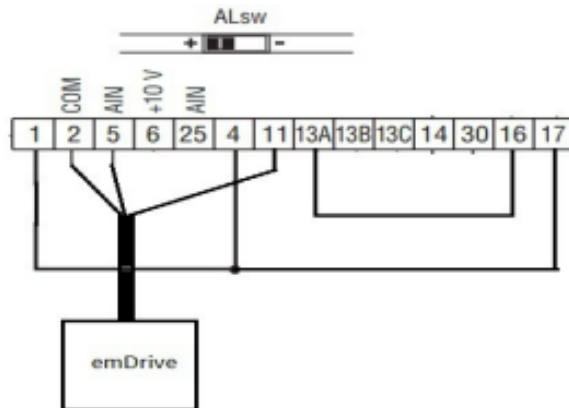
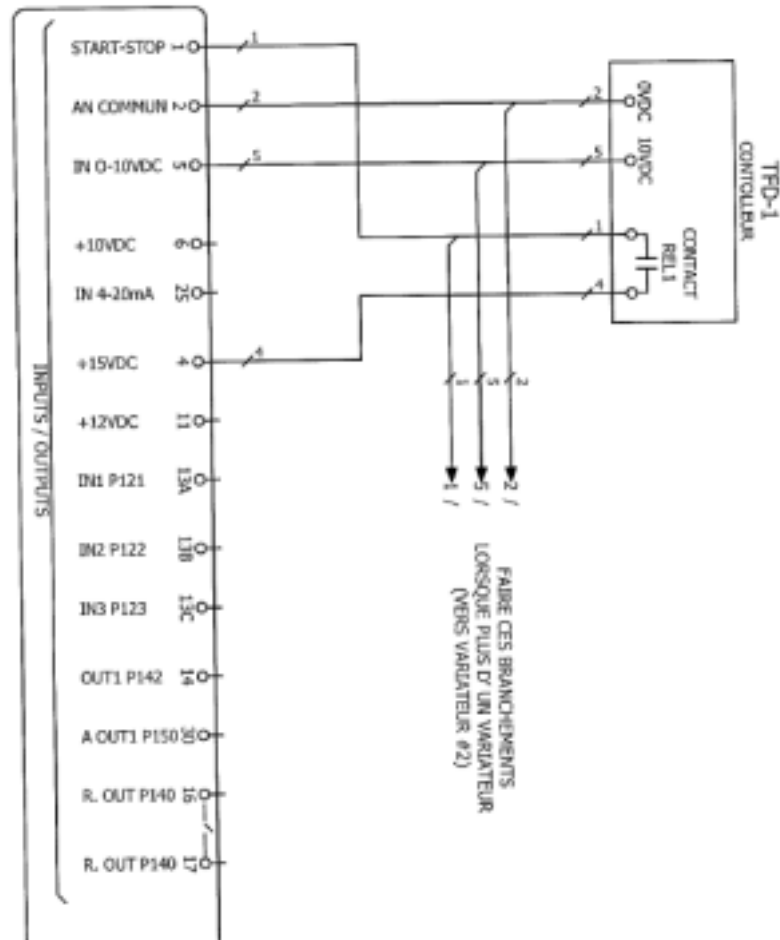
# Power connection



See the table next page in order to choose the right fuse/breaker and the right cable for the chosen variable frequency drive (VFD).

# Control connection

Here is the standard wiring diagram



If it is not a standard wiring (input is different than a 0-10V signal), refer to the table below.

Terminal	Description	Important
1	Digital Input: Start/Stop	Input resistance = 4.3k $\Omega$
2	Analog Common	
5	Analog Input: 0...10 VDC	Input resistance: >50 k $\Omega$
6	Internal DC supply for speed pot	+10 VDC, max. 10 mA
25	Analog Input: 4...20 mA	Input resistance: 250 $\Omega$
4	Digital Reference/Common	+15 VDC / 0 VDC, depending on assertion level
11	Internal DC supply for external devices	+12 VDC, max. 50 mA
13A	Digital Input: Configurable with P121	input resistance = 4.3k $\Omega$
13B	Digital Input: Configurable with P122	
13C	Digital Input: Configurable with P123	
13D*	Digital Input: Configurable with P124	
14	Digital Output: Configurable with P142, P144	DC 24 V / 50 mA; NPN
30	Analog Output: Configurable with P150...P155	0...10 VDC, max. 20 mA
2*	Analog Common	
TXA*	RS485 TxA	
TXB*	RS485 TxB	
16	Relay output: Configurable with P140, P144	AC 250 V / 3 A
17		DC 24 V / 2 A ... 240 V / 0.22 A, non-inductive

## Programmation

Your basic parameters are:

P100 : 4 (start of the terminal or of the drive)

P101 : 1

P102 : « 0 » Enter in hertz the speed at which the fan will spin if the fan receives no signal from the TFD-1. (For example : 0 Hz = 0 RPM, 15 Hz = 450 RPM, 30 Hz = 900 RPM, 60Hz= 1800 RPM)

P103 : 60Hz (use 40Hz for demo)

P110 : 3 (auto restart)

P111 : 2

P112 : 1

P121 : 8 (control select)

P140 : 1 (powered relay when drive is on)

P144 : 1 (inversion of the relay so P140 now reads as : energized when drive is off)


P160 : 0



P161 : 60


P165 : Indicate output voltage for the motor (230V, 460V ou 575V)



P166 : 2


To program the drive :

1-Press on the  button to enter the “programming mode”

2-Use the arrows   to choose the setting to be changed.

3-Press on the  button to choose the desired setting.

4-Use the   arrows to enter the right setting (see the basic setting above)

5-Press on  to quit the programming mode.