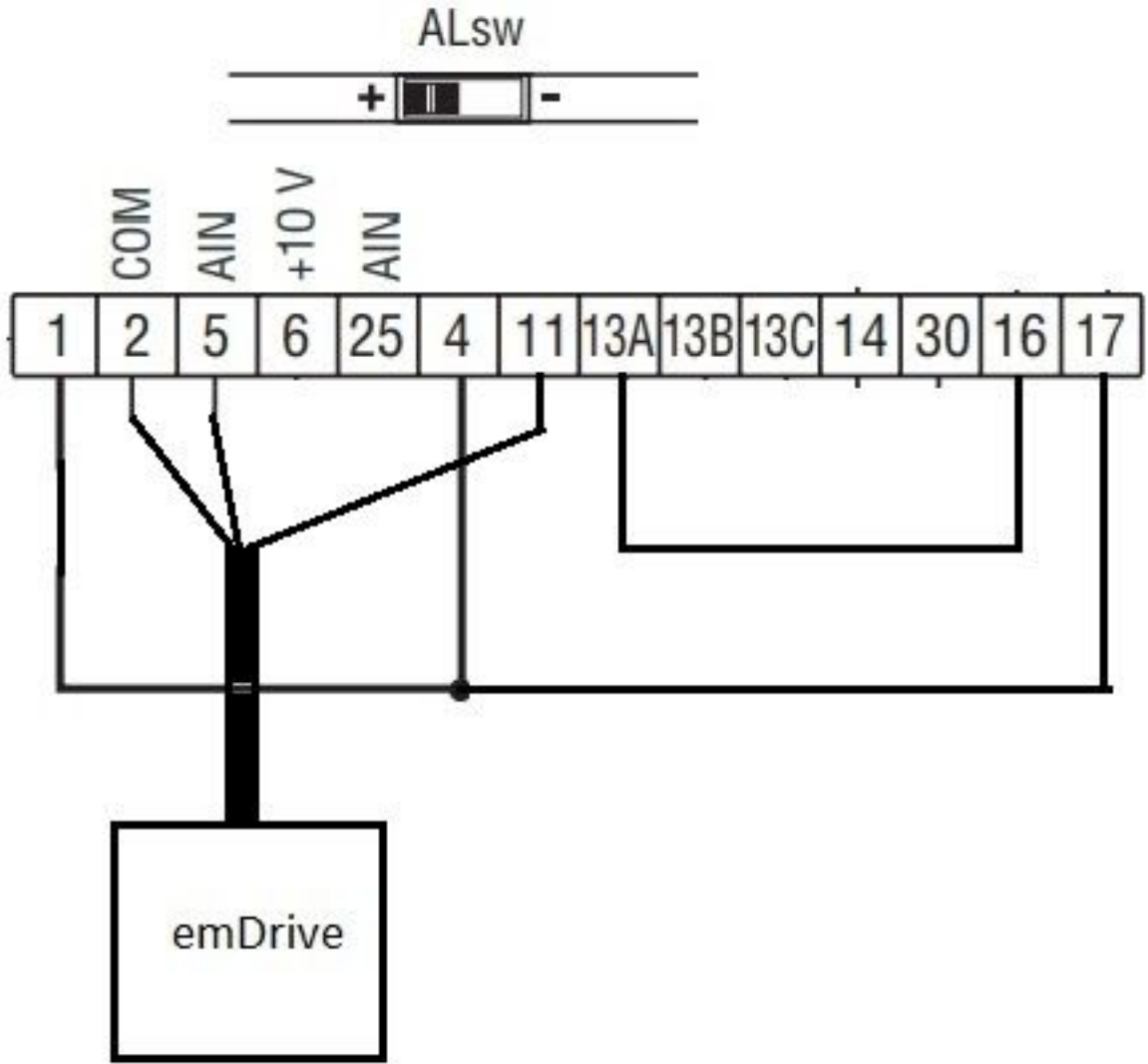


# Control Connection of "AC Tech Variable Frequency Drive" with emDrive (EMD101)

1- Universal connection diagram with "AC Tech variable frequency drive" rotation forward only

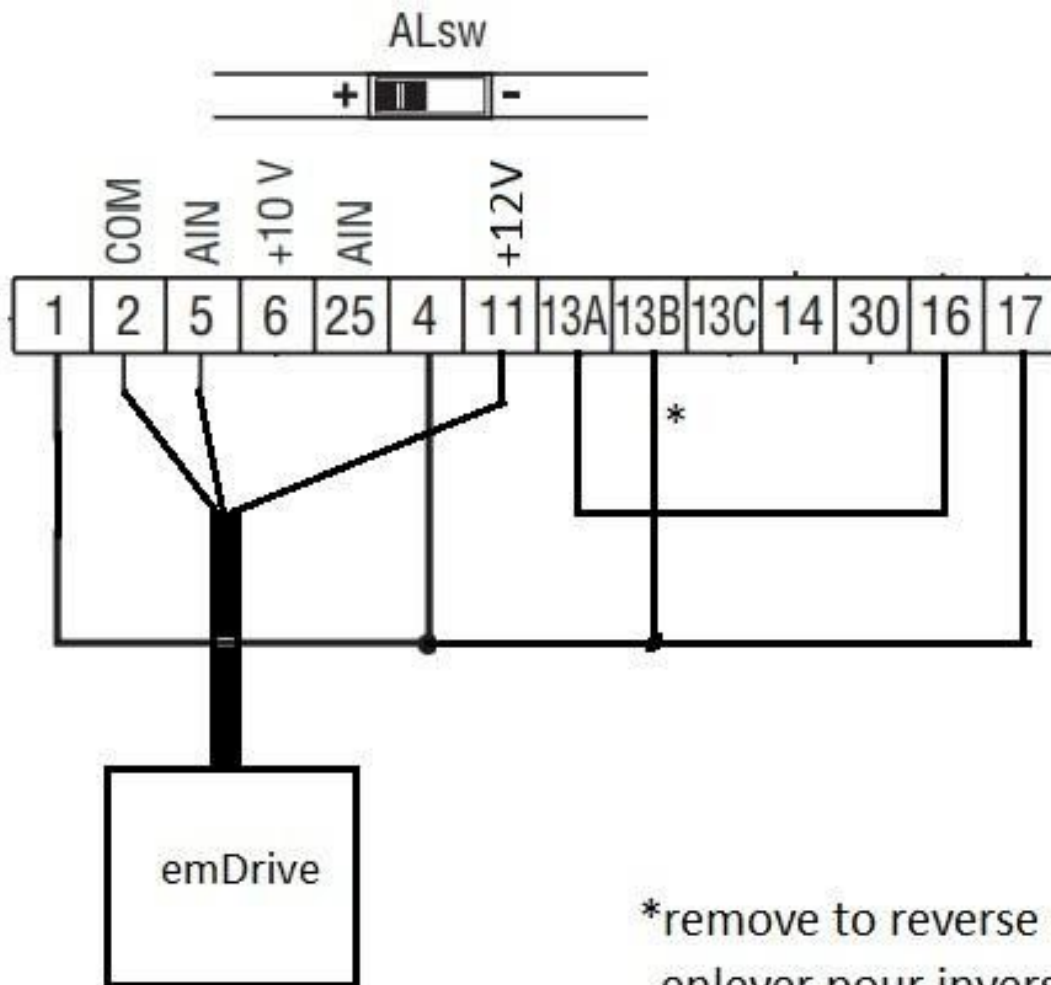


# Commissioning

Basic Setup Parameters :

Code	Selection	Description
P100	4	Terminal Strip or Local Keypad
P101	1	0-10 VDC
P102	0	Minimum Frequency
P103	60Hz = 1800 RPM	Maximum Frequency
P110	3	Start Method - Auto Restart
P111	2	Stop Method - Ramp
P112	0	Rotation - Forward only
P121	8	Control Select
P122	0	13B not used
P140	1	Run
P144	1	Digital Output Inversion
P160	0	Speed at Minimum Signal
P161	60	Speed at Maximum Signal
P165	Enter the input voltage of the motor (230V, 460V or 575V)	Base Voltage
P166	2	Carrier Frequency - 8 KHz

2- Universal connection diagram with "AC Tech variable frequency drive" with direction



# Commissioning

Basic Setup Parameters :

Code	Selection	Description
P100	4	Terminal Strip or Local Keypad
P101	1	0-10 VDC
P102	0	Minimum Frequency
P103	60Hz = 1800 RPM	Maximum Frequency
P110	3	Start Method - Auto Restart
P111	2	Stop Method - Ramp
P112	1	Rotation - Forward and Reverse
P121	8	Control Select
P122	10	Reverse Rotation
P140	1	Run
P144	1	Digital Output Inversion
P160	0	Speed at Minimum Signal
P161	60	Speed at Maximum Signal
P165	Enter the input voltage of the motor (230V, 460V or 575V)	Base Voltage
P166	2	Carrier Frequency - 8 KHz